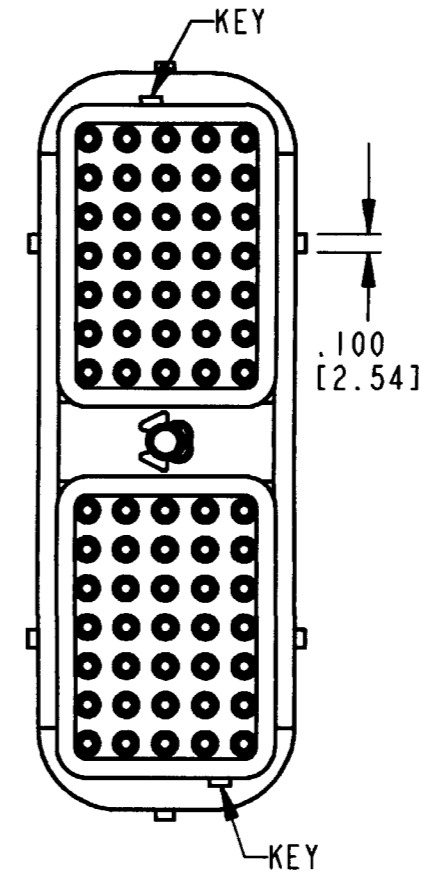
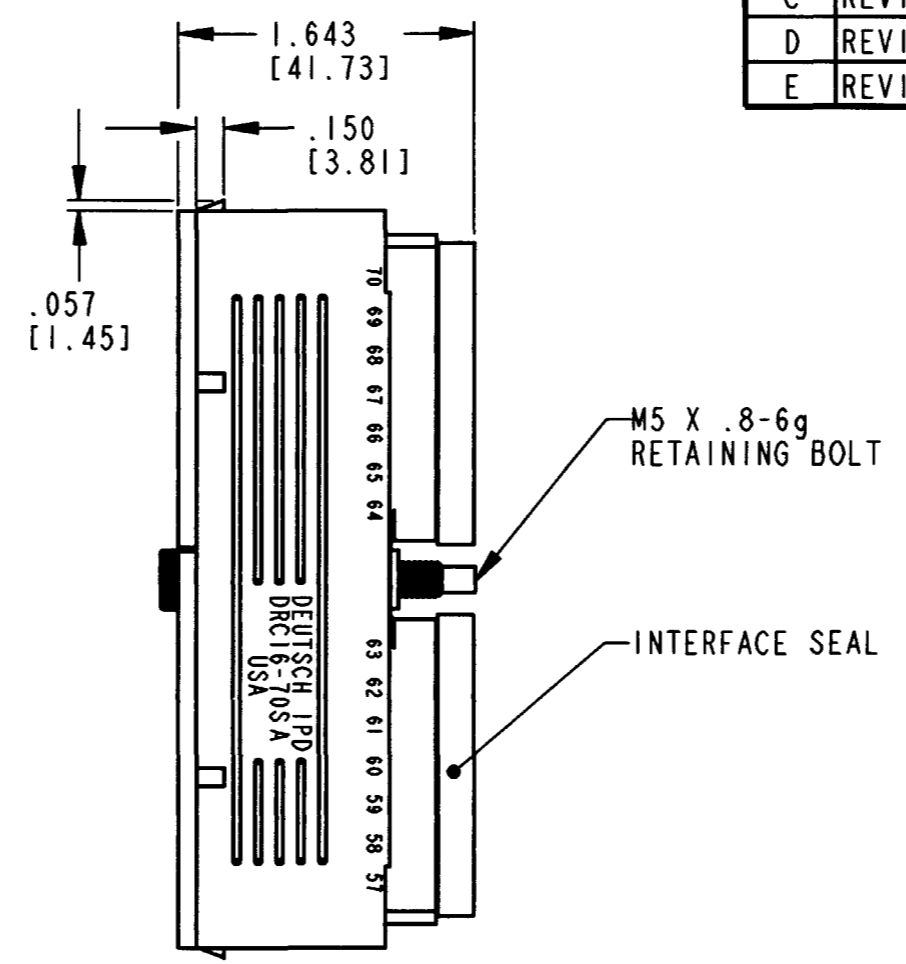
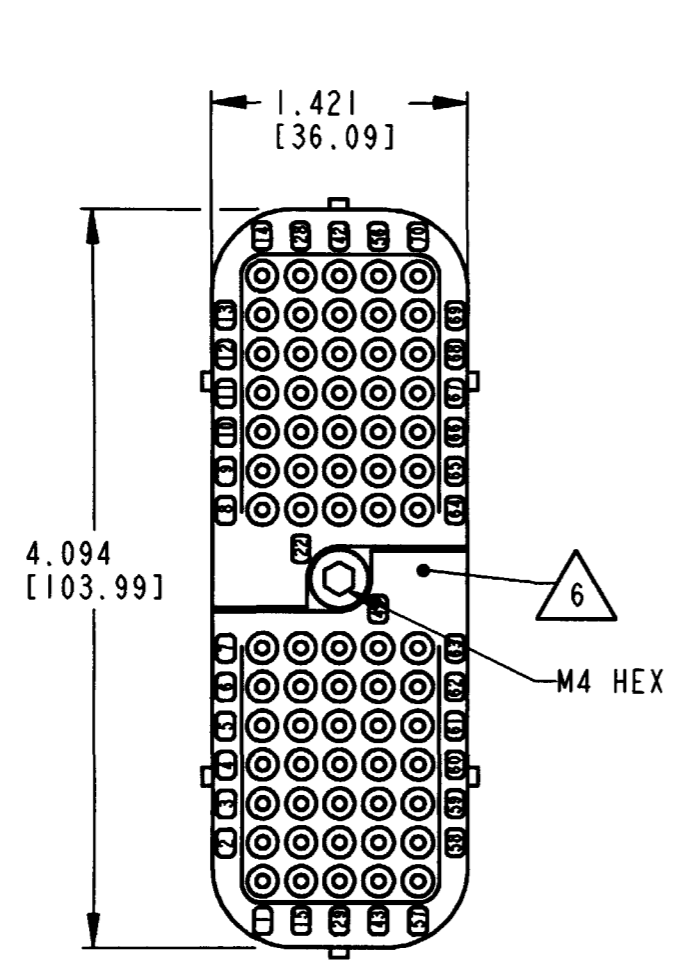


REV
E
DRC16-70SA *

REVISIONS			
SYM	DESCRIPTION	DATE	APPROVED
B	REVISED PER E.O. P15967	03/23/99	RDR
C	REVISED PER E.O. P16064	04/20/99	RDR
D	REVISED PER E.O. P16775	7-27-00	RDR
E	REVISED PER E.O. P17732	4-15-02	RDR



8. MATERIAL- PLUG: PLASTIC (BLACK); SEAL/GROMMET: RUBBER; BOLT/CLIP: STEEL.
 7. MATING TORQUE REQUIREMENT: 25-28 IN-LB [2.82-3.16 Nm].
 6. WHEN *=E: BLUE STRIP IDENTIFIES "E" SEAL.
 5. THIS PLUG MATES WITH DRC12-70PA*-****; DRC13-70PA-****; DRC14-70PA*-****. (****= ALL MODIFICATIONS) CONSULT FACTORY FOR MODS.
 4. FOR CONTACT AND WIRE PERFORMANCE AND APPLICATION CHARACTERISTICS, SEE ENVELOPE DRAWING 0425-015-0000.
 3. PLUG IS SUPPLIED WITH DUST CAP (NOT SHOWN).
 2. DIMENSION TOLERANCE: ±.025 [.635].
 1. DIMENSIONS ARE IN INCHES [mm].
- NOTES:

6 SEAL TYPE	CONTACT SIZE	MIN. INSUL. OD [mm]	MAX. INSUL. OD [mm]	WIRE RANGE [mm ²] REF ONLY 4
NORMAL	16	.100 [2.540]	.134 [3.404]	14-18 AWG [2.0-.75]
E	16	.053 [1.346]	.120 [3.048]	14-20 AWG [2.0-.50]

SIGNATURE & DATE		PLUG CONNECTOR DRC 70 SERIES KEY ARRANGEMENT -A- ENVELOPE	CP	MATL. CODE
DR	D. MEYER 03/12/99		The Deutsch Company DEUTSCH I.P.D. 3850 INDUSTRIAL AVE. HEMET, CALIF. 92545	
CHK	B. Bond 4/15/02		B DRC16-70SA *	
PE	D. Meyer 4/15/02		DWG SIZE	CODE SHEET OF
APPD	H. Reed 4-15-02			
SCALE	1:1	WT		